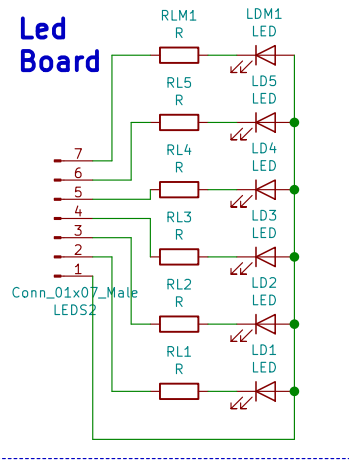


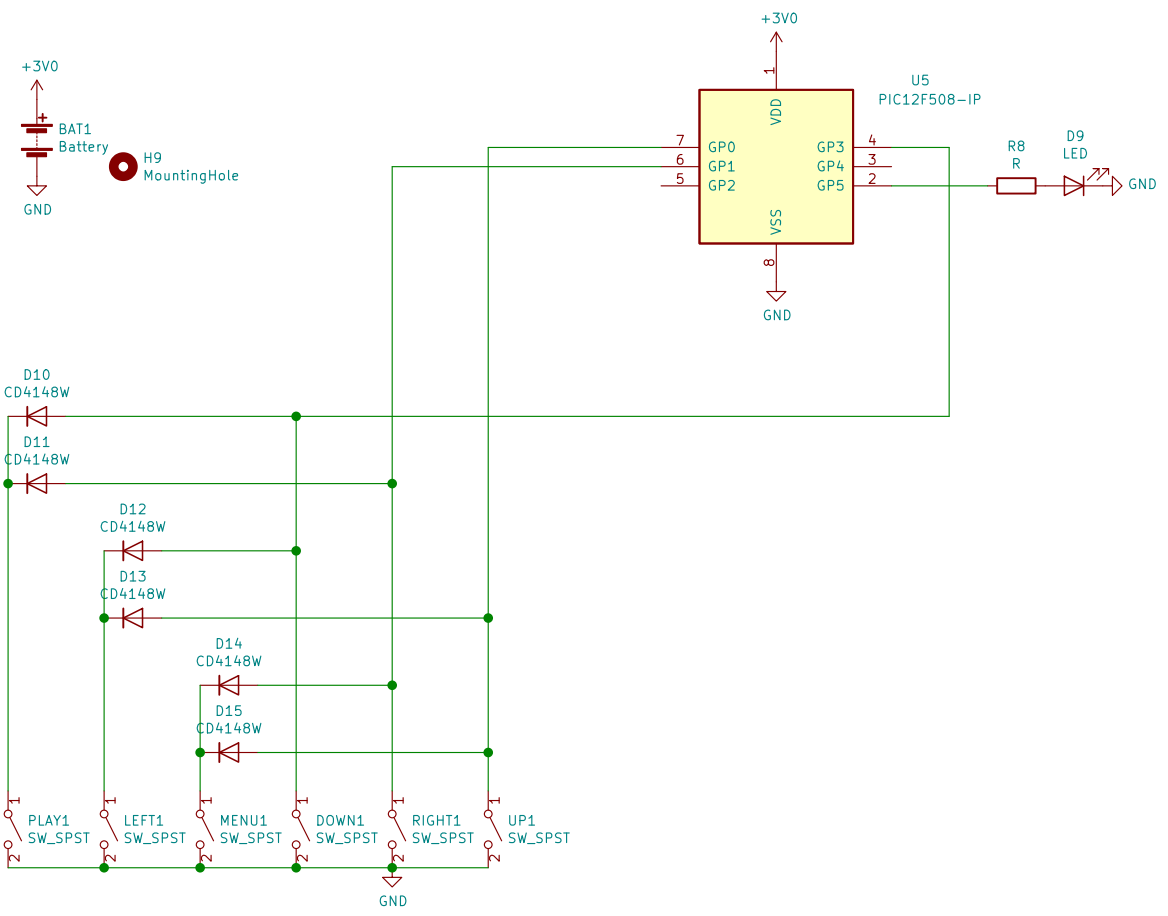
Sheet: Sheet5DFC578C

File: telecomando.sch

Led Board



Ampliekit.it	
Sheet: /	
File: Ir_remote.sch	
Title: IR receiver	
Size: A4	Date: 2019-10-28
KiCad E.D.A. kicad (5.1.5)-3	Rev: 1.03
	Id: 1/2



Sheet: /Sheet5DFC578C/		
File: telecomando.sch		
Title:		
Size: A4	Date:	Rev:
KiCad E.D.A. kicad (5.1.5)-3		Id: 2/2